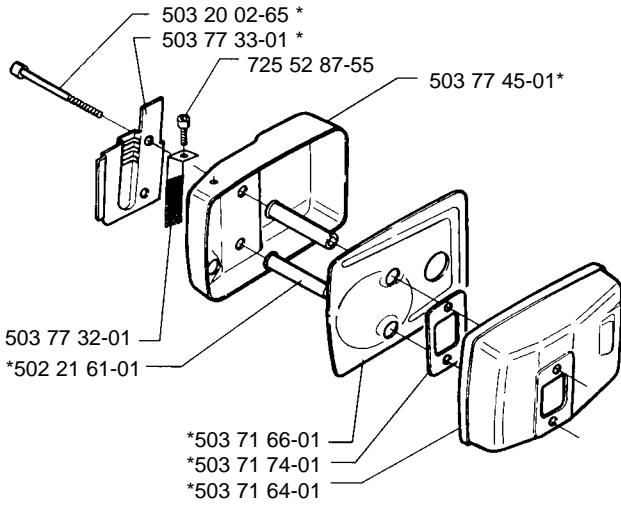
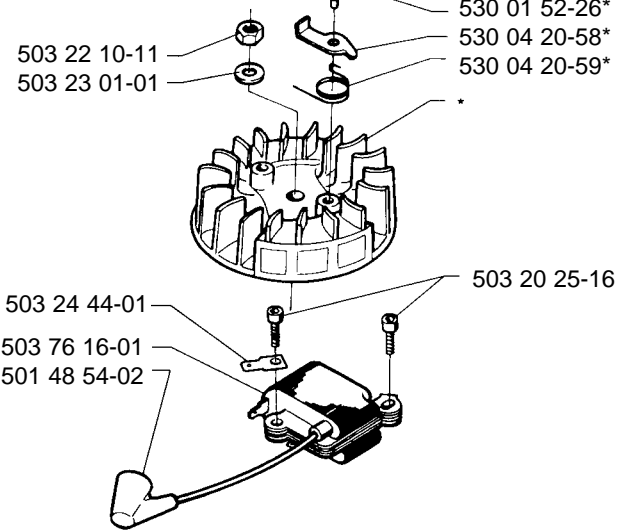


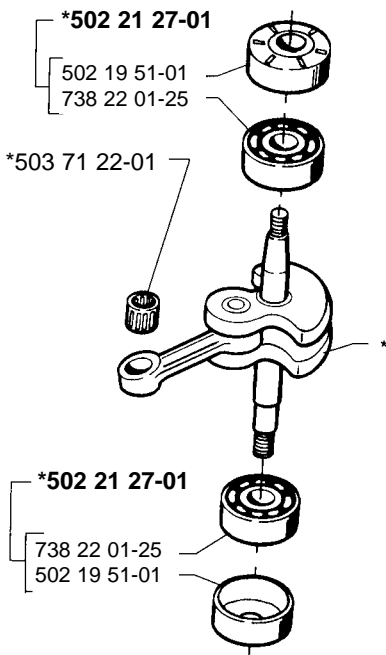
A *compl 503 77 30-01
compl 503 77 30-02 (FF)



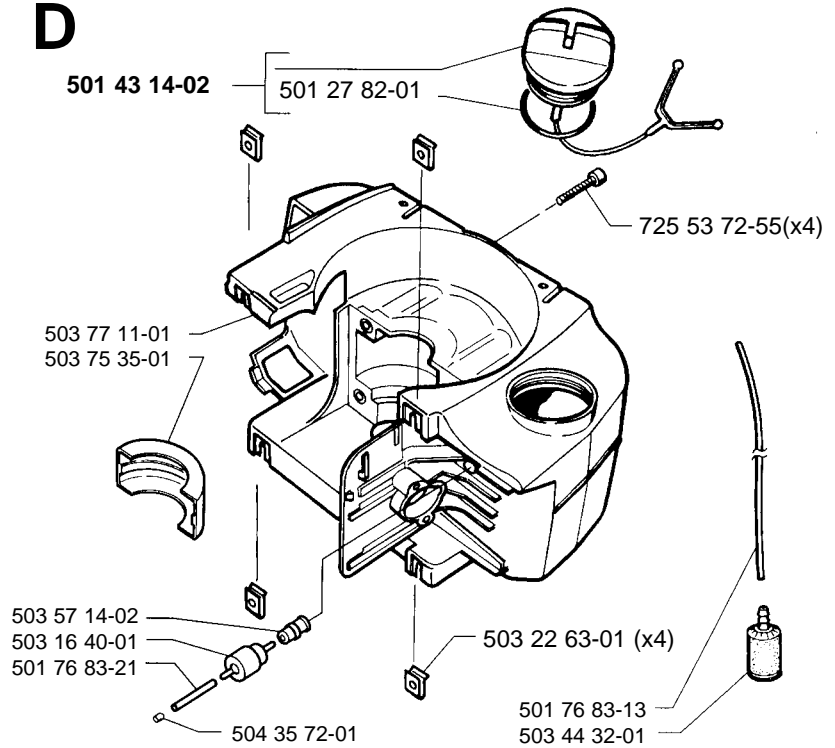
B *compl 502 19 59-01



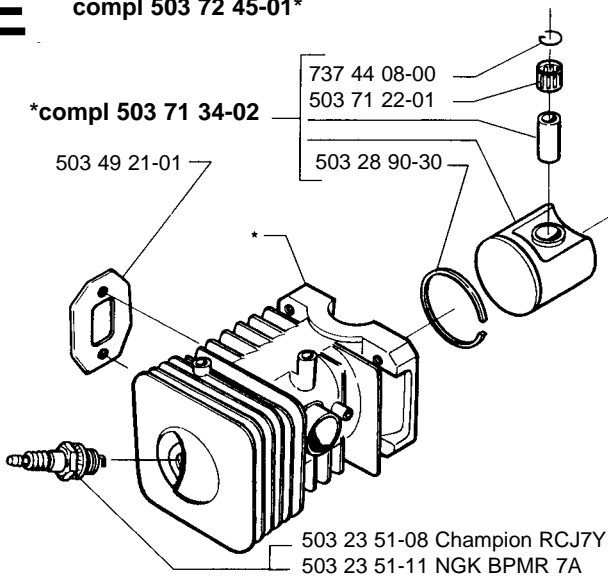
C *compl 503 72 44-02



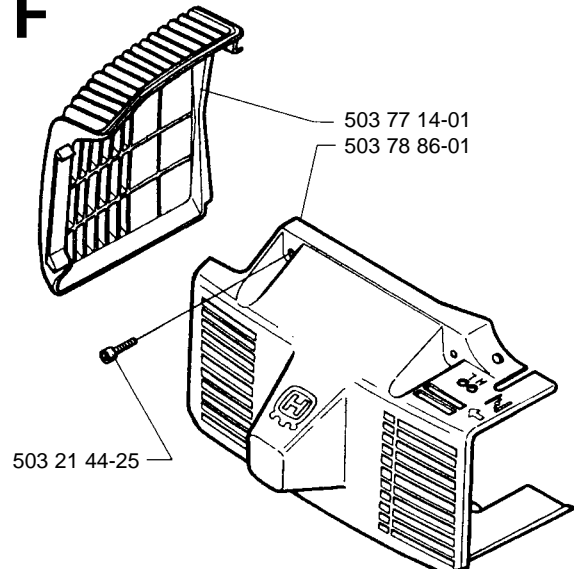
D

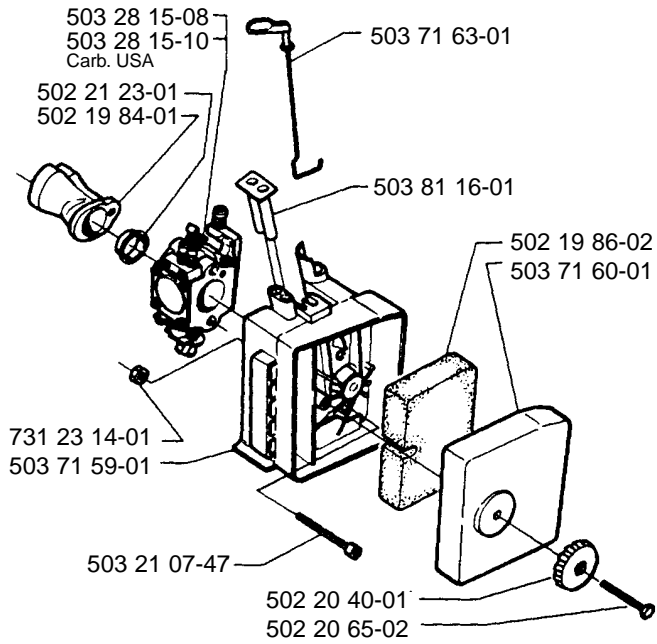
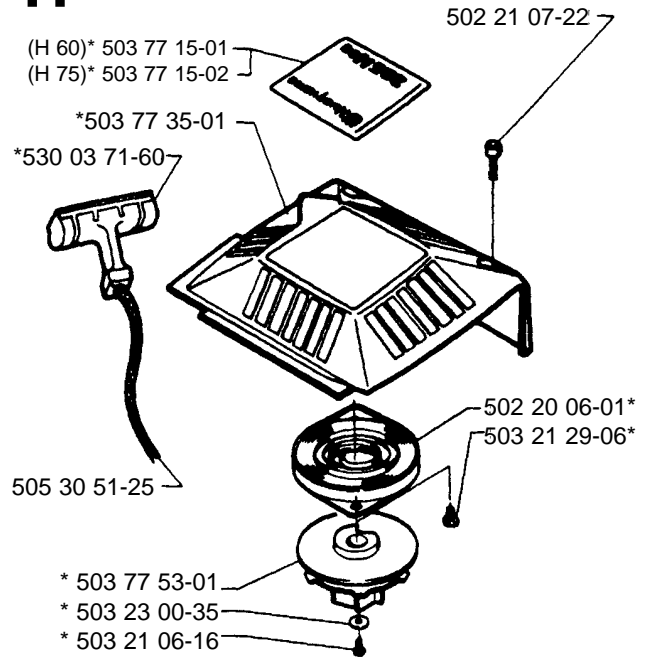
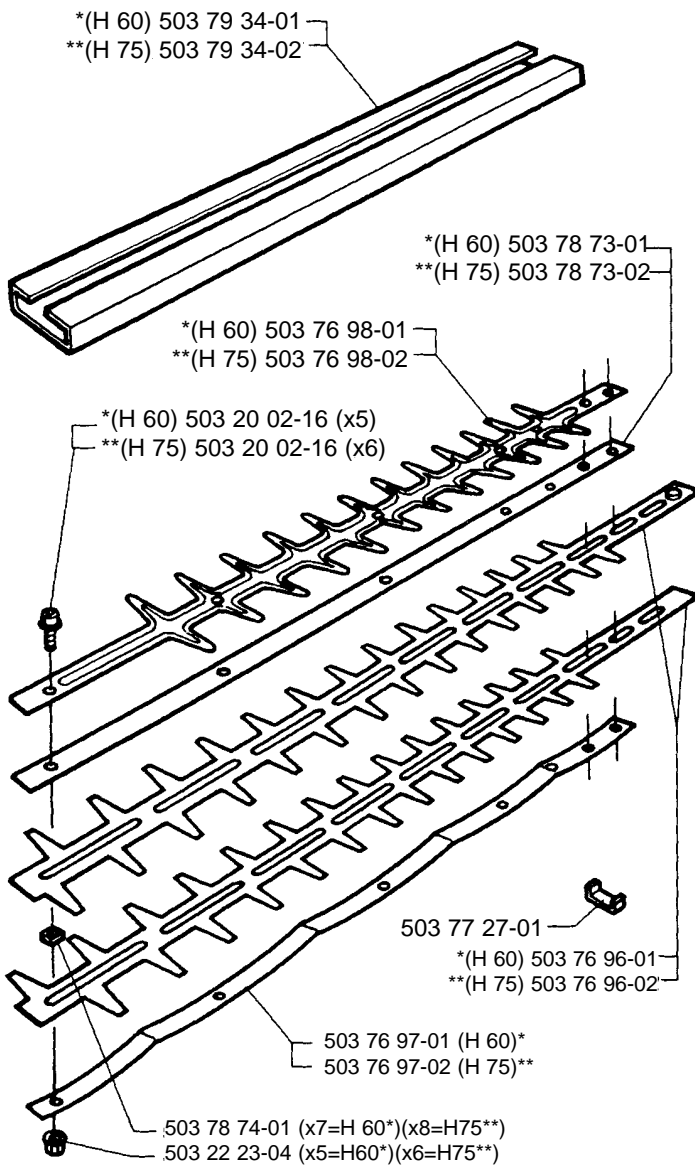
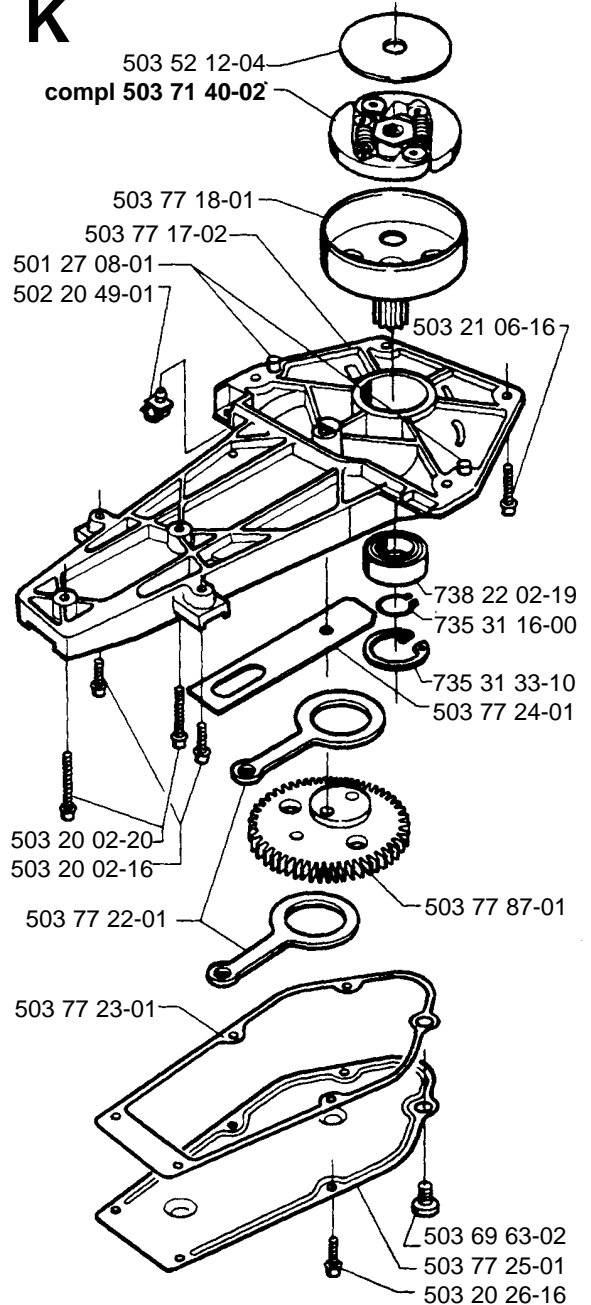


E compl 503 72 45-01*

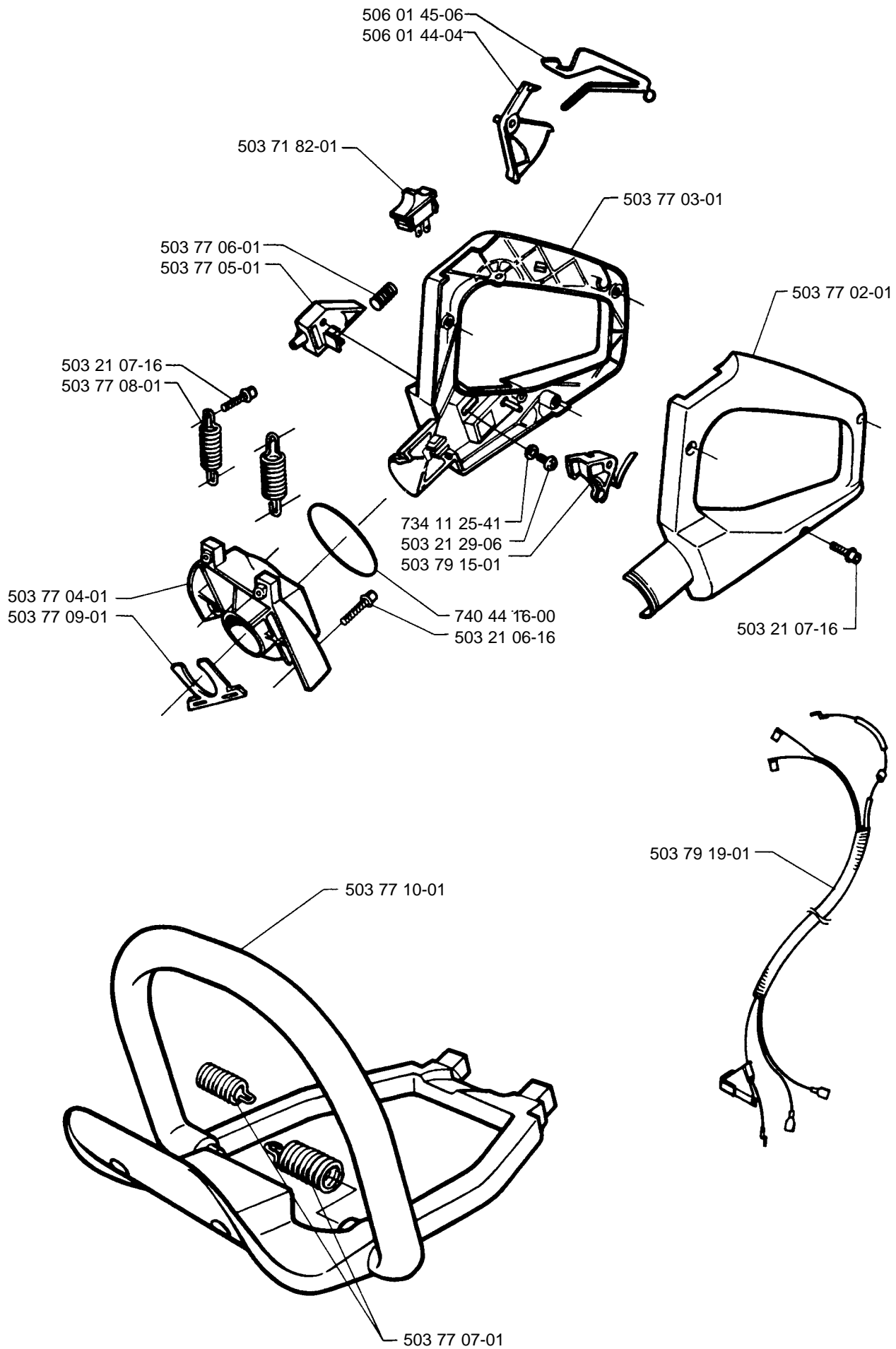


F



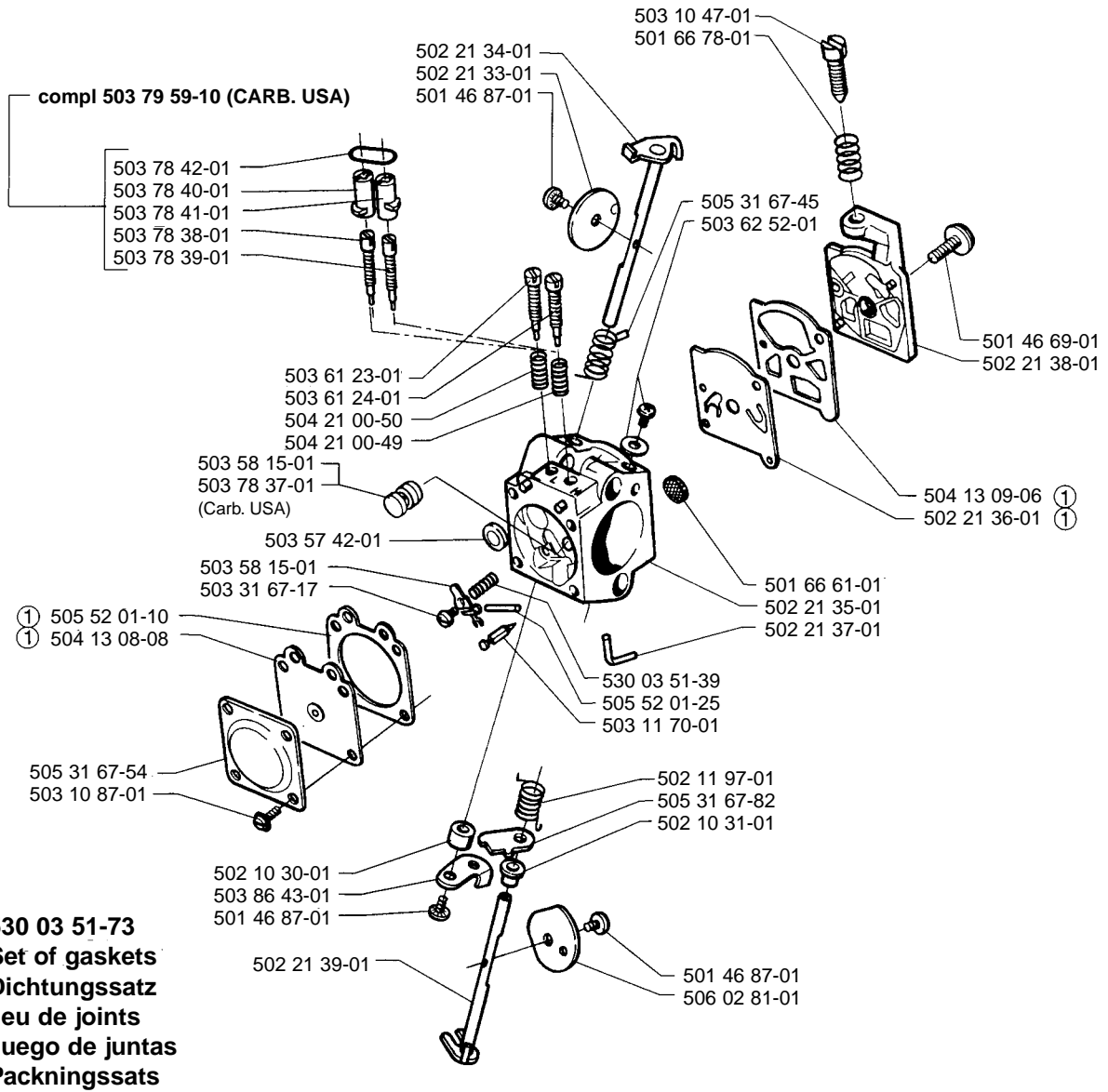
G**H*****compl 503 77 34-01****J*****compl 503 79 38-01 (H 60)*****compl 503 79 38-02 (H 75)****K****503 52 12-04**
compl 503 71 40-02

L



M

compl 503 28 15-08 Walbro WT 406
 compl 503 28 15-10 Walbro WT 421 (CARB. USA)



N

Accessories
Zubehore
Accessoires
Acessorios
Tillbehör

compl 502 21 60-09

